

BEAUTY CHAIR BASE
BTY MOTOR PUMP

Operating Manual

 **TAKARA**
BELMONT

TABLE OF CONTENTS

1. OVERALL VIEW AND MAJOR PARTS -----	1
2. DIMENSIONS AND SPECIFICATIONS -----	2
3. PREPARATIONS	
(1) CHAIR SETTING POSITION -----	3
(2) UNPACKING -----	3
(3) PREPARATIONS -----	3
(4) SETTING UPPER SECTION -----	4
4. OPERATING INSTRUCTIONS	
(1) MAIN SWITCH -----	4
(2) CONTROLS -----	4
(3) CHAIR ROTATION -----	5
5. CARE AND MAINTENANCE -----	5

1. OVERALL VIEW AND MAJOR PARTS

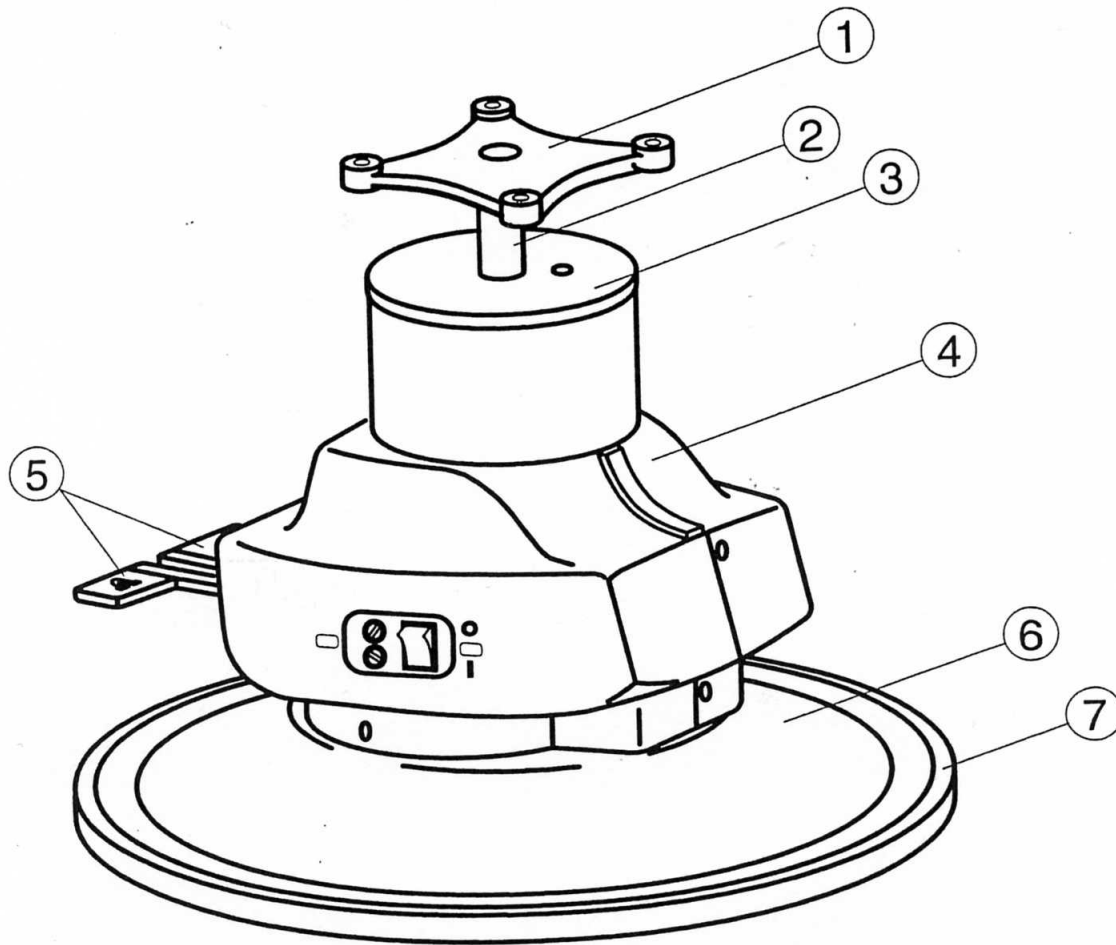


Fig.1-1 Overall View and Major Parts

MAJOR PARTS

① Flange (5 degrees)

② Ram Shaft

③ Pump Cover Top

④ Pump Cover Set (Right & Left)

⑤ Foot Pedal (Up & Down)

⑥ Base Plate

⑦ Base Ring

2. DIMENSIONS AND SPECIFICATIONS

(1) DIMENSIONS

-mm-

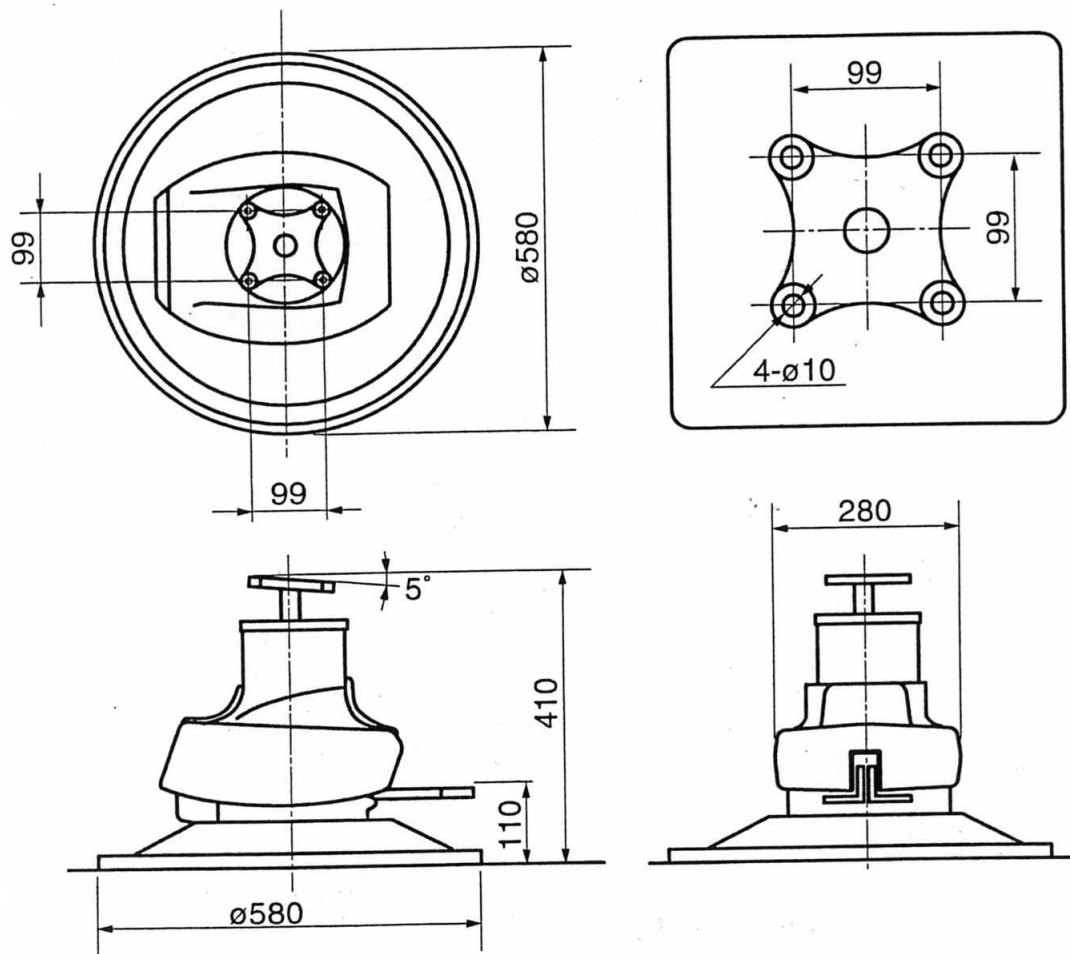


Fig.2-1 Dimensions

(2) SPECIFICATIONS

Initial Height	-----	410mm
Stroke	-----	205mm (410 ~ 615mm)
Power Consumption	-----	115V, 50/60Hz, 360/320W 230V, 50/60Hz, 360/400W
Weight	-----	30kg

