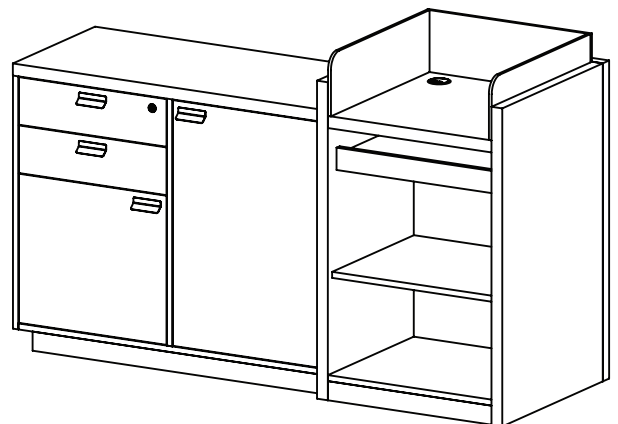
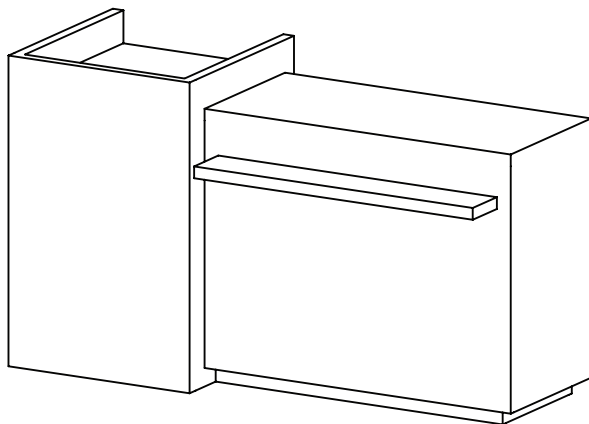
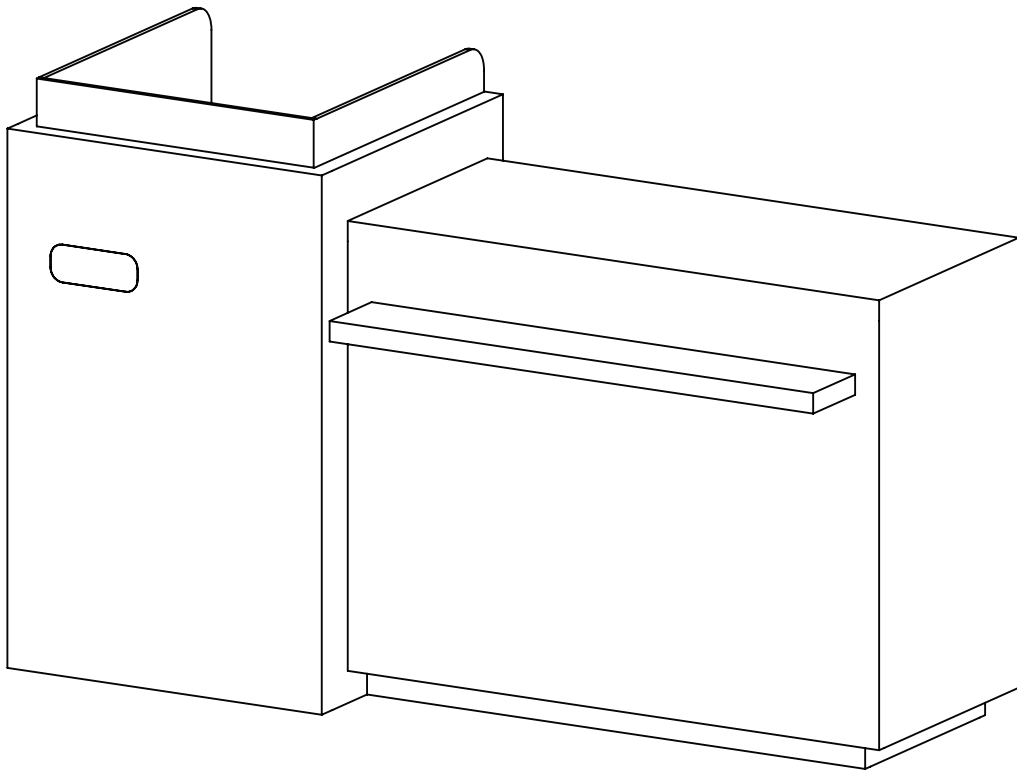
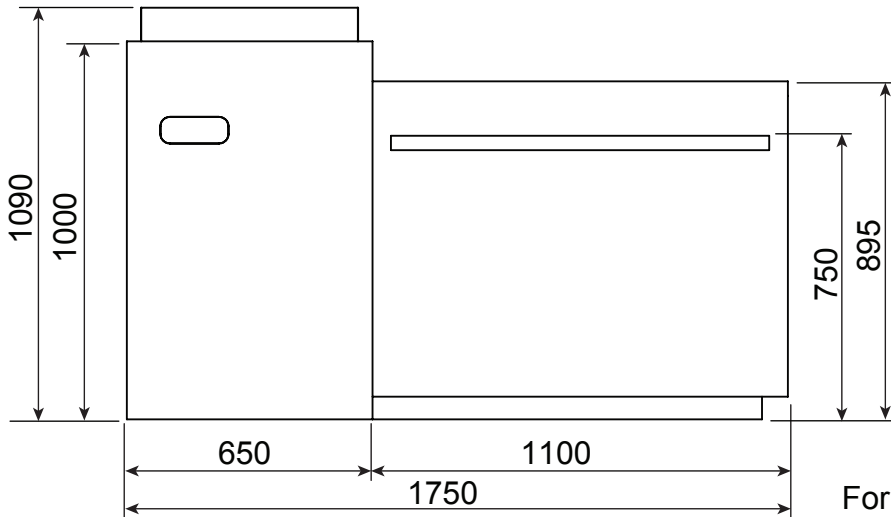
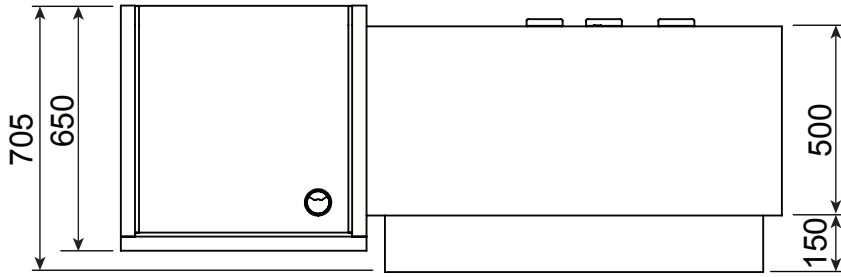


# Elena



• Customers must ask professional electricians to install this product.

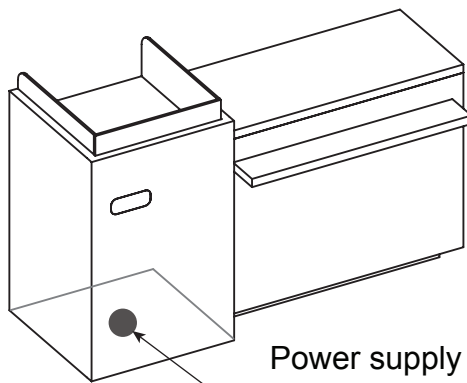
# Dimensions [mm]



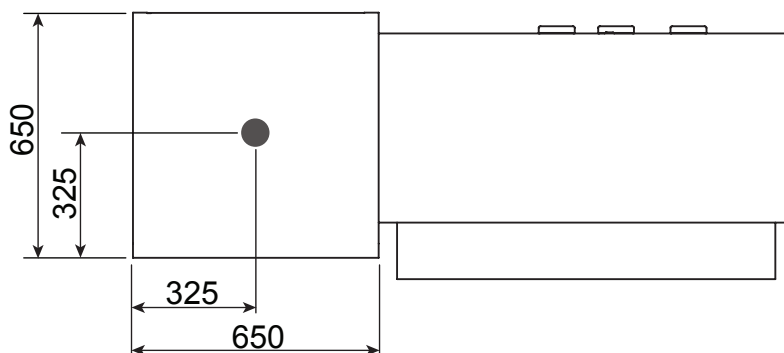
For optional LED light  
Power supply : 220/240 V 50/60 Hz

# Power supply [mm]

Power supply is needed only for the optional LED light.

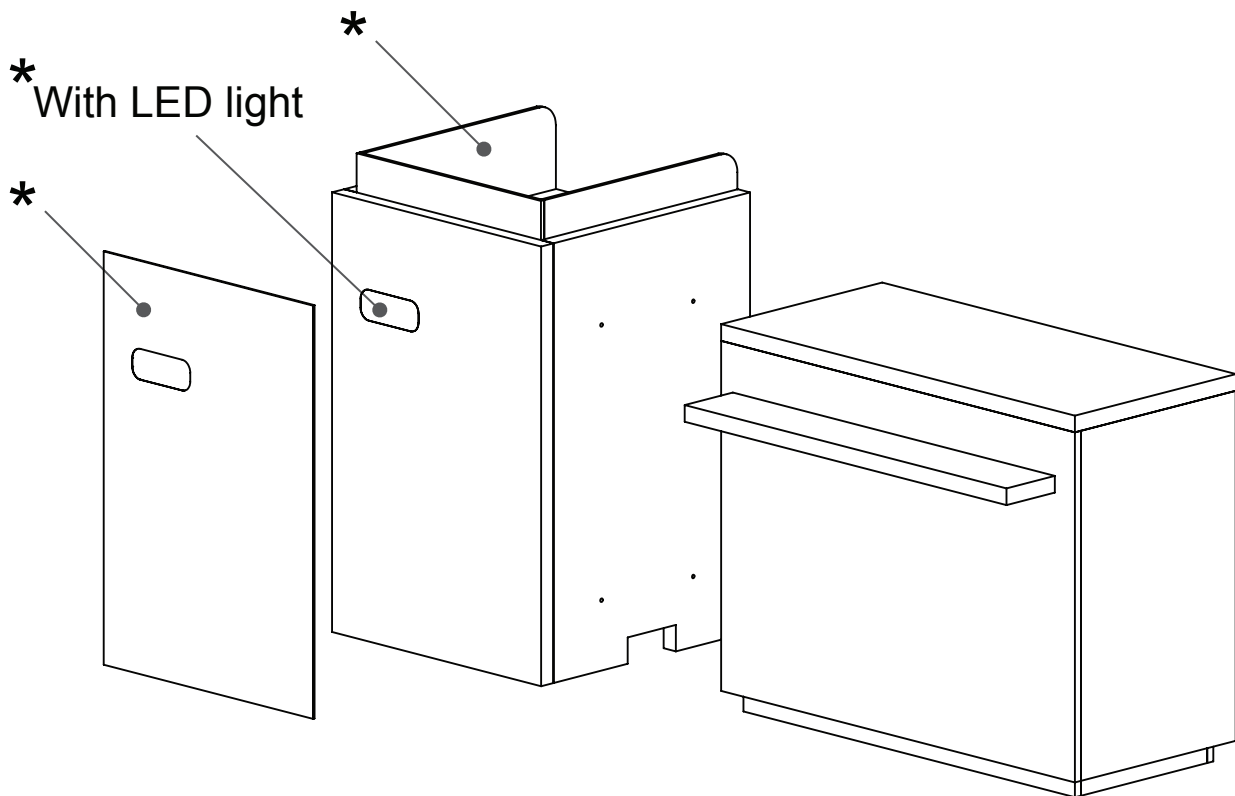


Power supply : 220/240 V 50/60 Hz  
(For optional LED light)

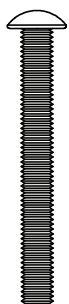


# Parts list

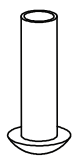
\* :Option



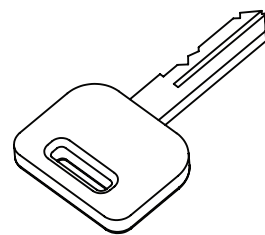
※Power switch for LED light is NOT provided.  
Customers need to install the switch on the wall.



x 4



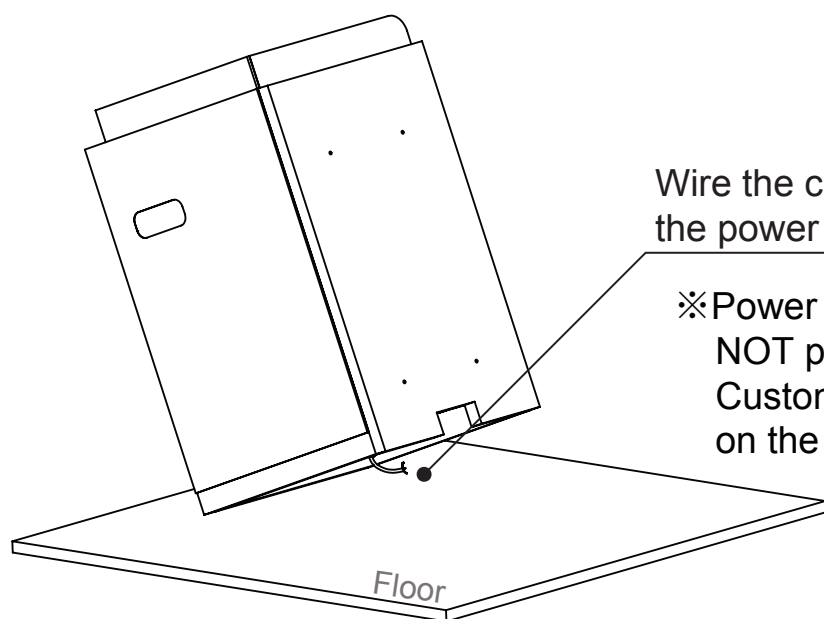
x 4



x 2

# Installation

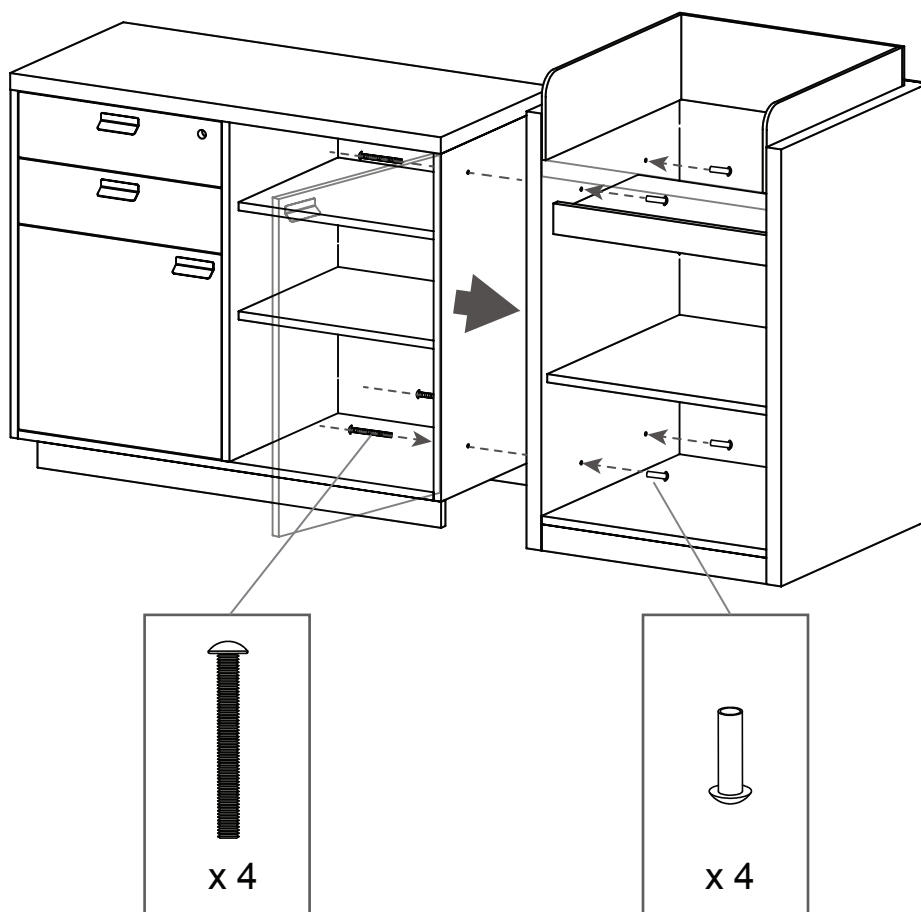
## \*1. (Only for optional LED light)



Wire the cable of LED light to the power supply on the floor.

※Power switch for LED light is NOT provided.  
Customers need to install the switch on the wall.

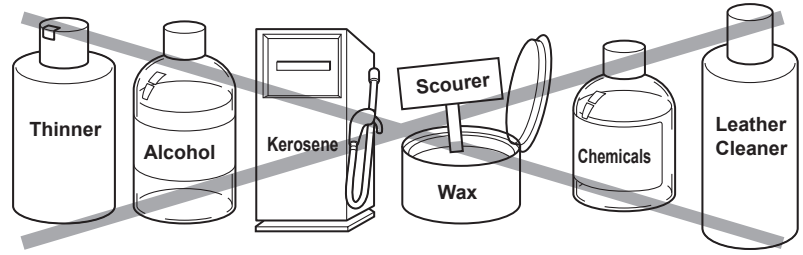
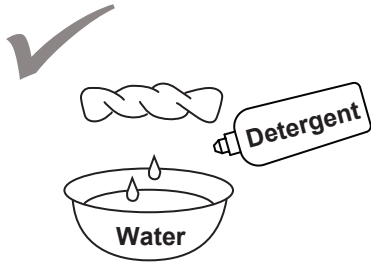
## 2.



x 4

x 4

# Maintenance



**TAKARA  
BELMONT**

TAKARA BELMONT (UK) LTD.

BELMONT HOUSE, ONE ST.ANDREWS WAY, BOW

LONDON E3 3PA, UNITED KINGDOM

[http:// www.takarahairdressing.co.uk](http://www.takarahairdressing.co.uk)

TEL : +44 (0)20 7515 0333

Email : [hairdressing@takara.co.uk](mailto:hairdressing@takara.co.uk)